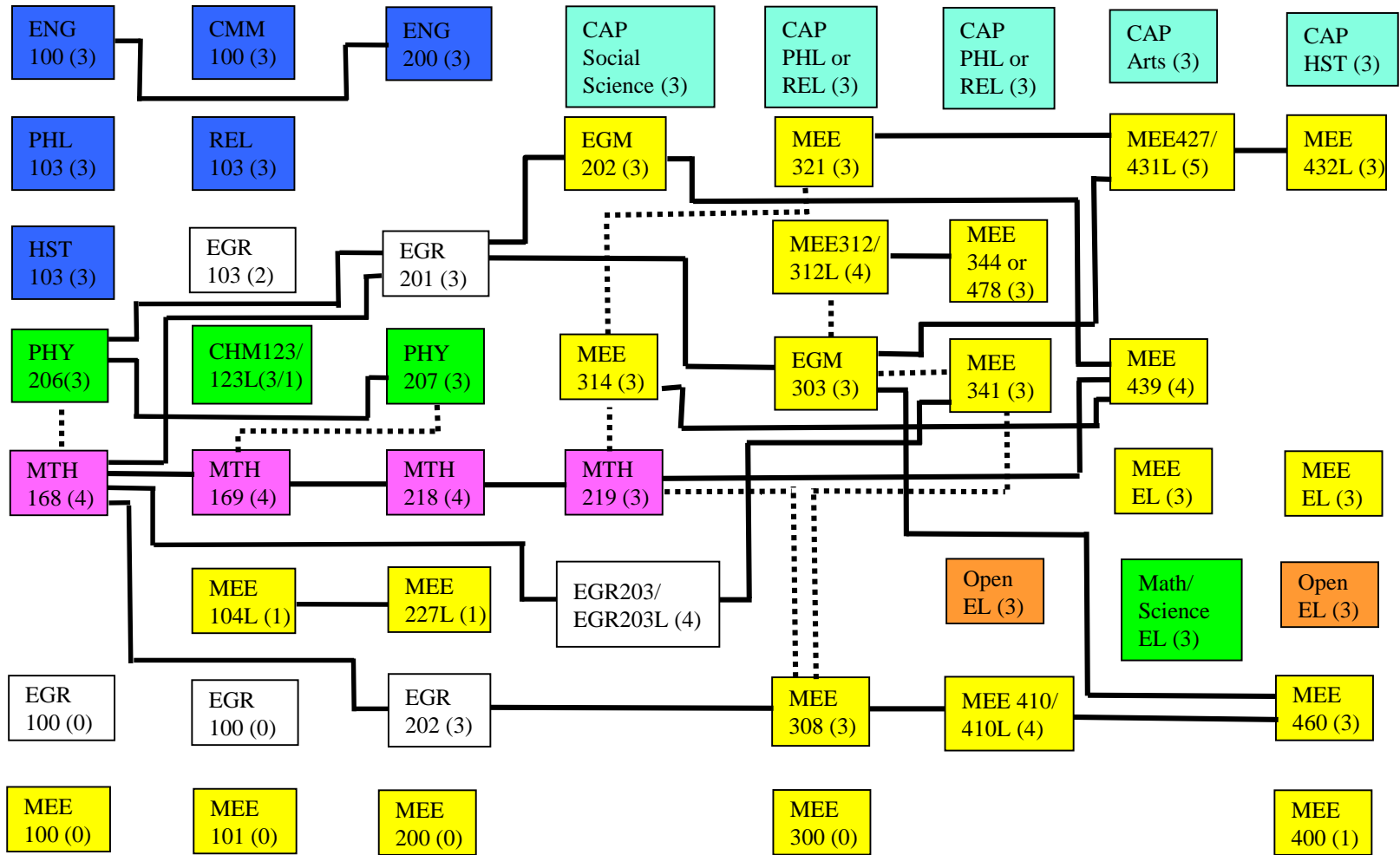


# BACHELOR OF MECHANICAL ENGINEERING 2015

**SEM 1 16CR   SEM 2 17CR   SEM 3 17CR   SEM 4 16CR   SEM 5 16CR   SEM 6 16CR   SEM 7 18CR   SEM 8 16CR**



<span style="display:inline-block; width:15px; height:15px; background-color:blue; border:1px solid black;"></span> CAP Base	<span style="display:inline-block; width:15px; height:15px; background-color:green; border:1px solid black;"></span> Science	<span style="display:inline-block; width:15px; height:15px; background-color:yellow; border:1px solid black;"></span> MEE course	<span style="display:inline-block; width:15px; height:15px; border-top:1px dotted black;"></span> Corequisite	* PHY210L can be taken instead. If so, switch PHY206 and CHM123.
<span style="display:inline-block; width:15px; height:15px; background-color:magenta; border:1px solid black;"></span> Math	<span style="display:inline-block; width:15px; height:15px; background-color:orange; border:1px solid black;"></span> Open elective	<span style="display:inline-block; width:15px; height:15px; border-top:1px solid black;"></span> Prerequisite		
<span style="display:inline-block; width:15px; height:15px; background-color:cyan; border:1px solid black;"></span> Common Academic Program (CAP)	<span style="display:inline-block; width:15px; height:15px; background-color:white; border:1px solid black;"></span> Integrated Engineering Core			