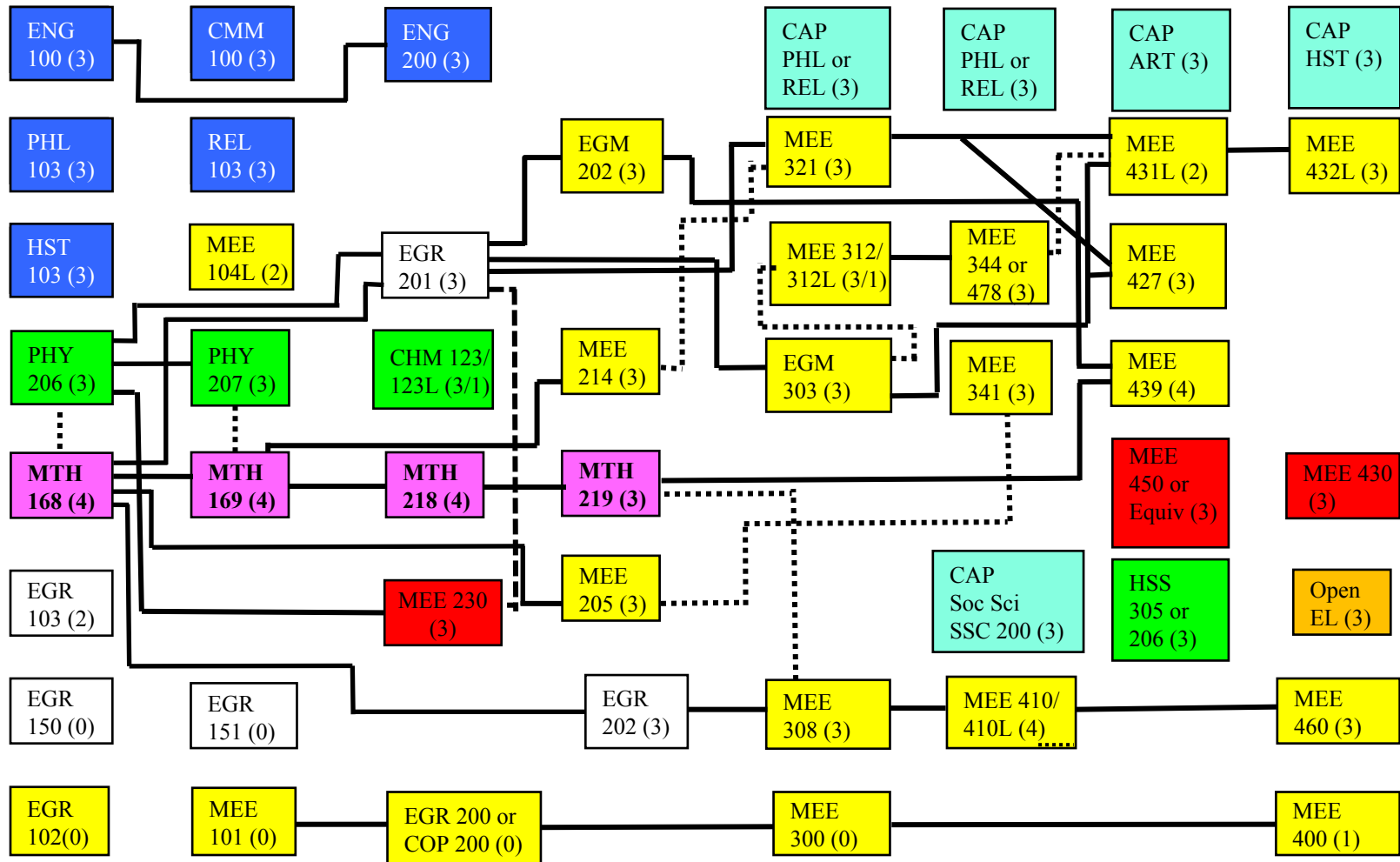


BACHELOR OF MECHANICAL ENGINEERING – Human Movement Biomechanics Minor 2019

SEM 1 18CR SEM 2 15CR SEM 3 17CR SEM 4 15CR SEM 5 16CR SEM 6 16CR SEM 7 18CR SEM 8 16CR



CAP Base	Science	MEE course	Corequisite	* PHY210L can be taken instead. If so, switch PHY206 and CHM123.
Math	Open elective	Biomech	Prerequisite	
Common Academic Program (CAP)	Integrated Engineering Core			