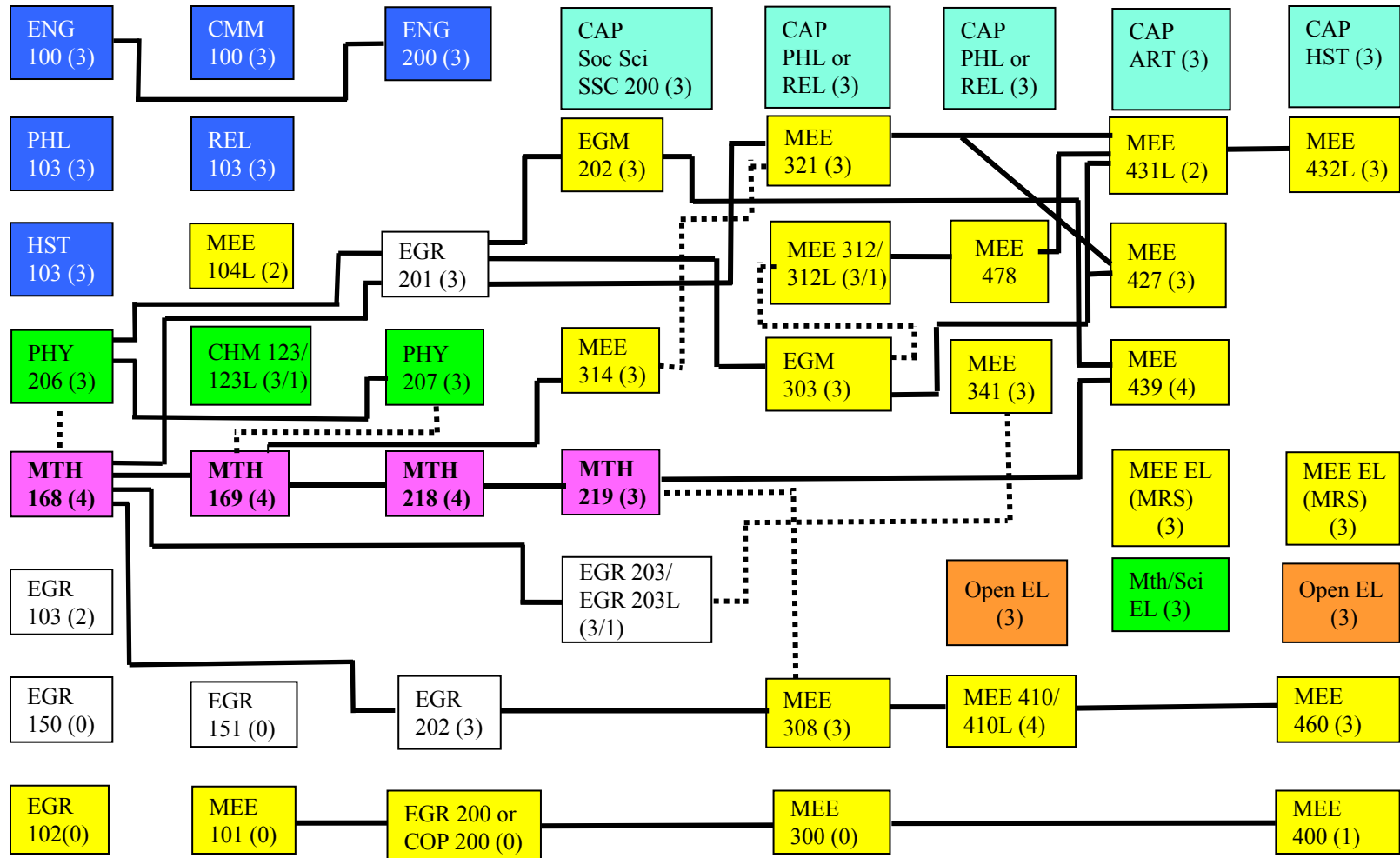


BACHELOR OF MECHANICAL ENGINEERING – Energy Systems-Mechanical Concentration (MRS) 2018

SEM 1 18CR SEM 2 16CR SEM 3 16CR SEM 4 16CR SEM 5 16CR SEM 6 16CR SEM 7 18CR SEM 8 16CR



- CAP Base
- Science
- MEE course
- Math
- Common Academic Program (CAP)
- Integrated Engineering Core
- Open elective
- Corequisite
- Prerequisite

* PHY210L can be taken instead. If so, switch PHY206 and CHM123.

*Selected MRS Energy courses have the potential to count towards Open Elective, CAP OR Mth/Sci Elective