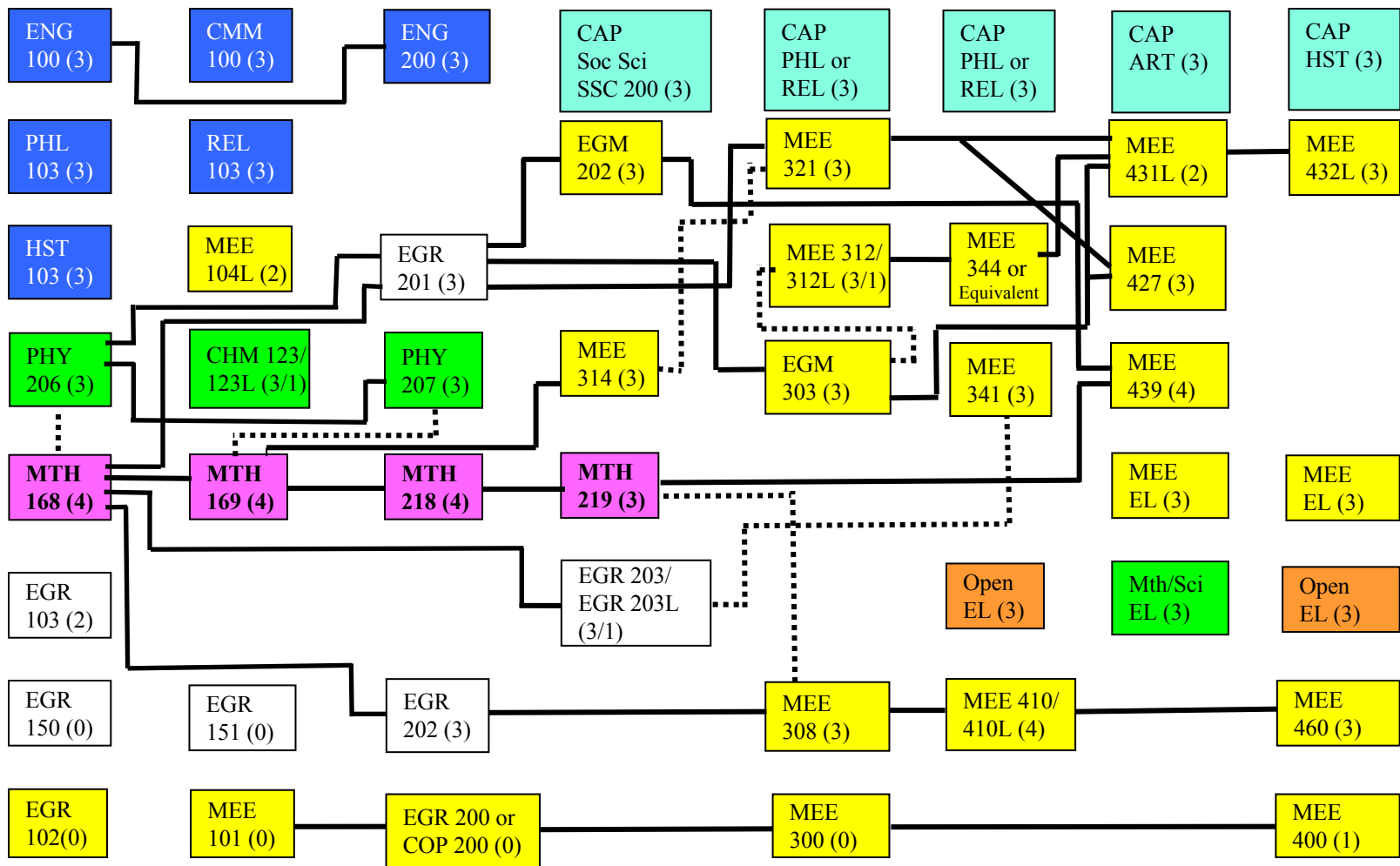


BACHELOR OF MECHANICAL ENGINEERING 2018

SEM 1 18CR SEM 2 16CR SEM 3 16CR SEM 4 16CR SEM 5 16CR SEM 6 16CR SEM 7 18CR SEM 8 16CR



CAP Base	Science	MEE course	Corequisite	* PHY210L can be taken instead. If so, switch PHY206 and CHM123.
Common Academic Program (CAP)	Math	Open elective	Prerequisite	
Integrated Engineering Core				