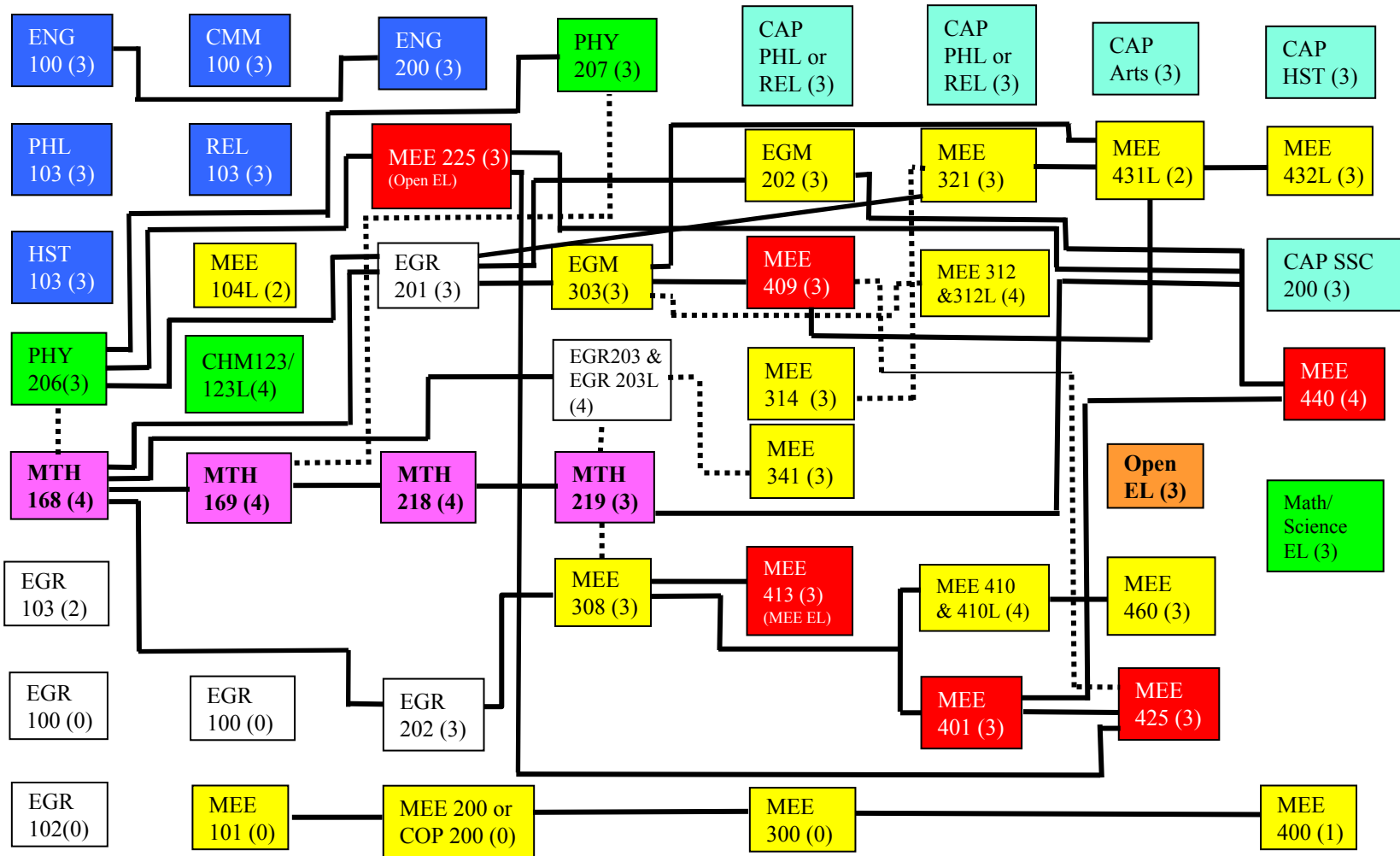


# BACHELOR OF MECHANICAL ENGINEERING – Aerospace Concentration 2017

**SEM 1 18CR   SEM 2 16CR   SEM 3 16CR   SEM 4 16CR   SEM 5 18CR   SEM 6 17CR   SEM 7 15CR   SEM 8 16CR**



<span style="background-color: blue; color: white; padding: 2px;"> </span> CAP Base	<span style="background-color: green; color: white; padding: 2px;"> </span> Science	<span style="background-color: yellow; color: black; padding: 2px;"> </span> MEE course	..... Corequisite	* PHY210L can be taken instead. If so, switch PHY206 and CHM123.
<span style="background-color: red; color: white; padding: 2px;"> </span> Aerospace	<span style="background-color: magenta; color: white; padding: 2px;"> </span> Math	<span style="background-color: orange; color: black; padding: 2px;"> </span> Open elective	— Prerequisite	
<span style="background-color: cyan; color: black; padding: 2px;"> </span> Common Academic Program (CAP)	<span style="background-color: white; border: 1px solid black; padding: 2px;"> </span> Integrated Engineering Core			